

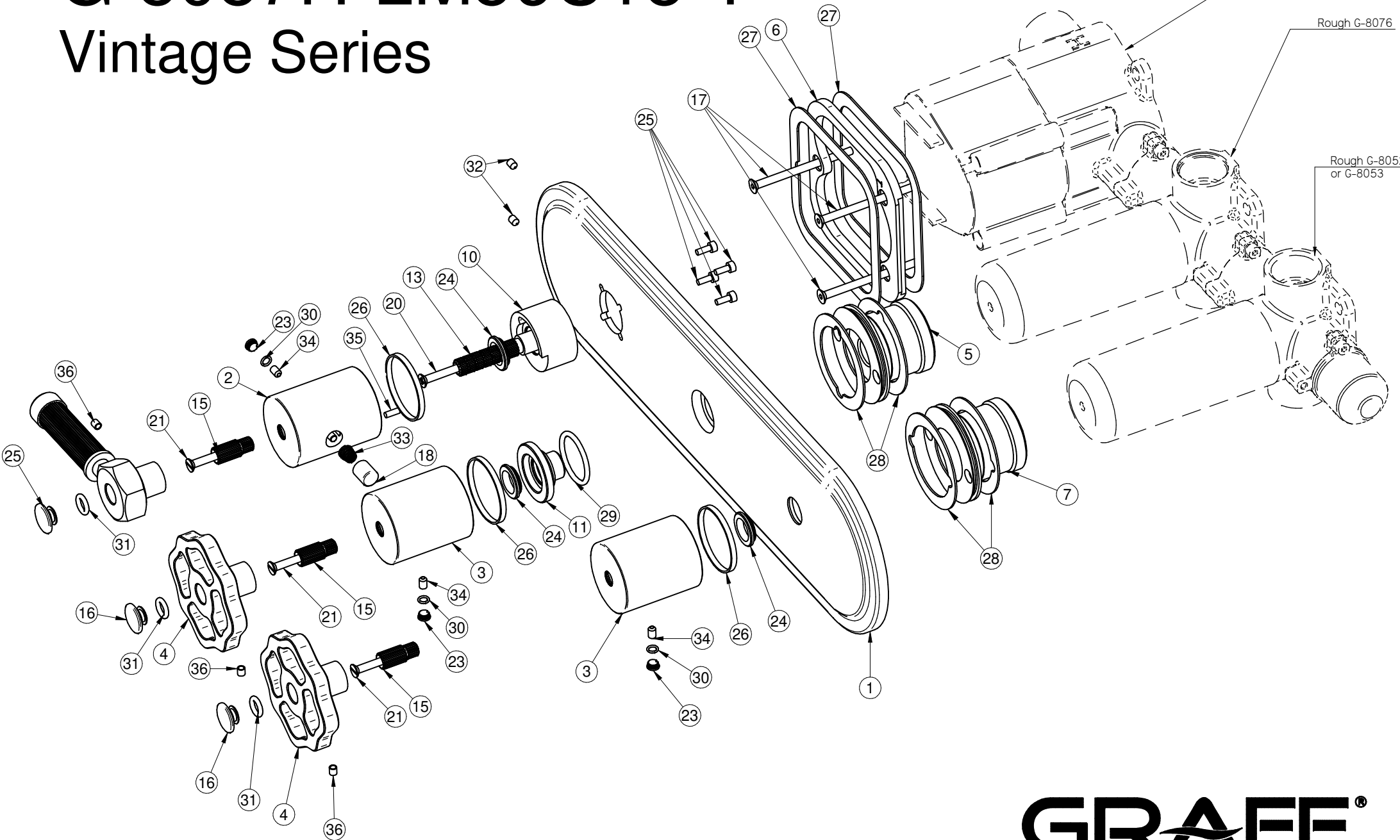
G-8087H-LM56C18-T

Vintage Series

Rough G-8006

Rough G-8076

Rough G-8052
or G-8053



GRAFF[®]
CUTTING EDGE DESIGN